



Advanced Card Systems Ltd.
Card & Reader Technologies

ACR120 Contactless Reader/Writer



Wall Mounting Procedure



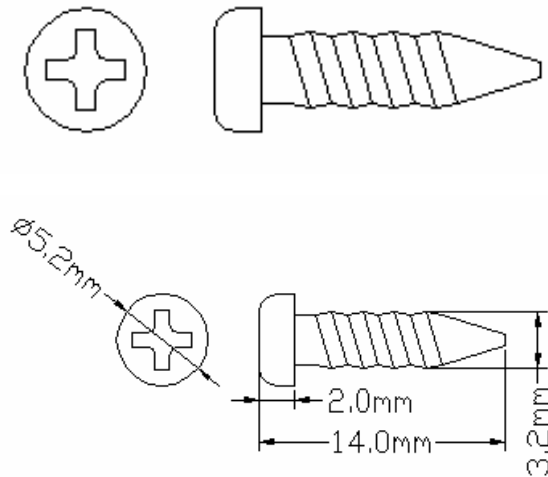
Special note to customers:

If you are looking for *ACR120 readers for wall mounting applications, please notify the sales representative in advance* so that you will receive the ACR120 readers with separate PVC stickers.

(You will receive the individual PVC stickers at the same time so that after wall mounting, you can put it back to protect the casing.)



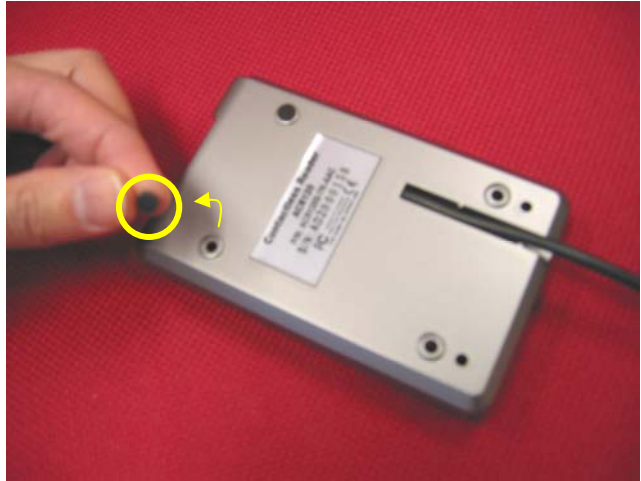
**Dimensions of suggested screws
(for wall-mounting)**



1. Make sure that no front sticker is attached to the ACR120 reader front casing.



2. Remove the rubber feet at the back so that you can drive in the screws.



3. Drive in the screws into the specified holes for wall mounting.





4. Tighten each screw to fix the ACR120 reader on the wall.



5. Once the wall mounting step is finished, place the PVC sticker on to the front casing to cover the screw holes.

