

MV-IDH7000

1 MP Handheld Code Reader



Introduction

IDH7000 series wired handheld code reader adopts code reading algorithm to provide good decoding capability for DPM. It can read different types of one-dimensional and two-dimensional codes, and output codes rapidly.

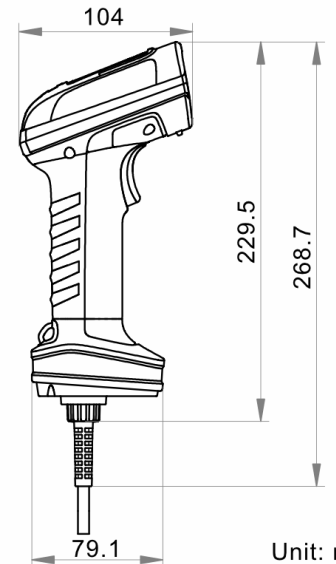
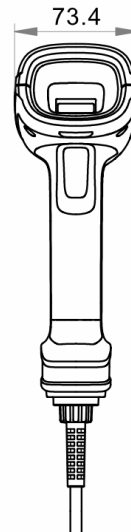
Key Feature

- Adopts code reading algorithm to provide good decoding capability.
- Provides good robustness to read codes with spots, defects and low contrast ratio.
- Supports continuous code reading, batch code reading for improving code reading efficiency.
- Supports multiple communication protocols, including TCP Client, Serial, FTP, Profinet, etc.
- Adopts illumination system to provide direct lighting and diffused reflection lighting.
- Supports IP65 and drop height of 1.8 m.

Available Model

- Fast Ethernet type: MV-IDH7010-07-NR-L
- USB2.0 type: MV-IDH7010-07-NR-U

Dimension



Unit: mm

Applicable Industry

PCB, new energy, consumer electronics, semiconductor, automobile parts, etc.



Specification

Model	MV-IDH7010-07-NR-L	MV-IDH7010-07-NR-U
Performance		
Symbologies	1-dimensional codes: Code 39, Code 93, Code 128, CodaBar, EAN 8, EAN 13, Matrix 2 of 5, ITF 14, UPCA, UPCE	
	2-dimensional codes: QR Code, Data Matrix	
Min. accuracy	3 mil	
Max. frame rate	50 fps	
Sensor type	CMOS, global shutter	
Pixel size	3 μm \times 3 μm	
Sensor size	1/4"	
Resolution	1280 \times 800	
Depth of field*	Code 39 (3 mil): 15 mm-60 mm, Code 39 (5 mil): 5 mm-80 mm, Data Matrix (5 mil): 10 mm-70 mm Data Matrix (10 mil): 0 mm-110 mm, QR Code (5 mil): 10 mm-70 mm	
Field of view	Horizontal 31°, vertical 20°	
Detection angle	Tilt angle \pm 60°, skew angle \pm 60°, rotation angle 360°	
Symbol contrast	20%	
Communication protocol	SmartSDK, TCP Client, FTP, HTTP, TCP Server, MELSEC/SLMP, Profinet, Ethernet/IP, ModBus, UDP, Fins	SmartSDK, USB-HID, USB-CDC
Electrical feature		
Data interface	Fast Ethernet	USB2.0
Power supply	12 VDC to 24 VDC	
Max. power consumption	6 W@24 VDC	
Mechanical		
Focal length	6.7 mm	
Lens mount	M5.8-mount	
Ambient illumination	0 lux to 100000 lux	
Light source	Direct: white LED; diffused reflection: red LED	
Aiming system	Cross laser aiming	
Dimension	73.4 mm \times 104 mm \times 229.5 mm (2.9" \times 4.1" \times 9.0")	
Weight	Approx. 460 g (1.0 lb.)	
Ingress protection	IP65	
Temperature	Working temperature: -20 °C to 50 °C (-4 °F to 122 °F) storage temperature: -30 °C to 70 °C (-22 °F to 158 °F)	
Humidity	20% to 95% RH, non-condensing	
Drop height	1.8 m (70.9")	
General		
Client software	IDMVS	
Certification	CE, FCC	

*Test condition: Environment temperature=25 °C (77 °F), ambient illumination=250 lux filament lamp, Hikrobot's test symbologies are used.

HIKROBOT

Hangzhou Hikrobot Technology Co., Ltd.
No.399 Danfeng Road, Binjiang District, Hangzhou 310051, China.
en.hikrobotics.com

Copyright Hikrobot

Hangzhou Hikrobot Technology Co., Ltd. All Rights Reserved. Hangzhou Hikrobot Technology does not tolerate any infringement. Any organization or individual may not imitate or reproduce in whole or in part of the content. The data herein is based on Hikrobot's internal evaluation. Actual data may vary depending on specific configuration and operating condition. The information herein is subject to change without notice. All the content has been checked conscientiously. Nevertheless, Hikrobot shall not be liable to damages resulting from errors, inconsistencies or omissions.