

MV-IDH3013B

1.3 MP Wireless Handheld Code Reader



Introduction

MV-IDH3013B wireless handheld code reader adopts code reading algorithm and can read different types of one-dimensional and two-dimensional codes, and output results rapidly. It has good decoding capability for codes with spots, defects and low contrast radio, and entry level DPM code. With smart bases, the code reader can realize charging and data communication.

Key Feature

- Adopts code reading algorithm to read different types of one-dimensional and two-dimensional codes.
- Provides good robustness to read codes with spots, defects and low contrast radio.
- Supports continuous code reading, batch code reading for improving code reading efficiency.
- Adopts Bluetooth 5.0 wireless technology to provide convenient and efficient operations.
- With smart bases, parameter configuration and device management via IDMVS client software are supported.

Available Model

- Fast Ethernet kit with near distance: MV-IDH3013B-05N-R1L
- Fast Ethernet kit with standard distance: MV-IDH3013B-05S-R1L
- USB interface kit with near distance: MV-IDH3013B-05N-R1U
- USB interface kit with standard distance: MV-IDH3013B-05S-R1U

Accessories

- Code reader with near distance (without smart base)
MV-IDH3013B-05N-R1
- Code reader with standard distance (without smart base)
MV-IDH3013B-05S-R1
- Smart base with Fast Ethernet:
MV-IDA-H30-IBASE-01L
- Smart base with USB interface:
MV-IDA-H30-IBASE-01U

Applicable Industry

Consumer electronics, medical treatment, appliance manufacturing, etc.



Specification

Model	MV-IDH3013B-05N-R1L	MV-IDH3013B-05S-R1L
Performance		
Symbologies	1-dimensional codes: Code 39, Code 93, Code 128, CodaBar, EAN 8, EAN 13, ITF 25, ITF 14, UPCA, UPCE	
	2-dimensional codes: QR Code, Data Matrix	
Min. accuracy	3 mil	4 mil
Max. frame rate	50 fps	
Sensor type	CMOS, global shutter	
Pixel size	2.7 μm \times 2.7 μm	
Sensor size	1/4"	
Resolution	1280 \times 1024	
Depth of field*	Code 128 (3 mil): 35 mm to 80 mm Code 128 (10 mil): 10 mm to 170 mm Code 39 (5 mil): 15 mm to 100 mm Code 39 (20 mil): 20 mm to 250 mm Data Matrix (10 mil): 5 mm to 115 mm QR Code (20 mil): 20 mil to 190 mm	Code 39 (5 mil): 40 mm to 160 mm Code 128 (10 mil): 10 mm to 400 mm Data Matrix (10 mil): 30 mm to 200 mm QR Code (15 mil): 15 mm to 280 mm QR Code (20 mil): 20 mm to 370 mm
Field of view	Horizontal 40°, vertical 34°	
Detection angle	Tilt angle \pm 60°, skew angle \pm 60°, rotation angle 360°	
Symbol contrast	20%	
Wireless communication		
Bluetooth	BT 5.0, 2.4 GHz to 2.4835 GHz, BLE	
Wireless range	70 m (open range)	
Communication protocol	Wireless handheld code reader: SmartSDK Smart base: SmartSDK, TCP Client, TCP Server, Serial, FTP, UDP	
Electrical feature		
Data interface	Fast Ethernet, RS-232, DC terminal	
Battery	3150 mAh, chargeable lithium battery	
Charging time	4 h	
Number of scan	29000 times (full charging)	
Power supply	Wireless handheld code reader: 3.8 VDC (battery providing power) Smart base: 12 VDC to 24 VDC	
Max. power consumption	Wireless handheld code reader: 0.8 W@3.8 VDC, working mode: 1.6 W@3.8 VDC, sleep mode: 0.6 W@3.8 VDC Smart base: 6.6 W@12 VDC	
Mechanical		
Focal length	4.7 mm	
Lens mount	M5.8-mount	
Ambient illumination	0 lux to 100000 lux	
Light source	Red LED	
Aiming system	Cross laser aiming	
Prompt	LED indicator, buzzer, vibrator	
Dimension	Wireless handheld code reader: 74.4 mm \times 86.6 mm \times 179.5 mm (2.9" \times 3.4" \times 7.1") Smart base: 100.9 mm \times 131.8 mm \times 83.6 mm (4.0" \times 5.2" \times 3.3")	

Specification

Weight	Wireless handheld code reader: Approx. 230 g (0.5 lb.) Smart base: Approx. 180 g (0.4 lb.)
Ingress protection	IP42
Temperature	Working temperature: -20 °C to 50 °C (-4 °F to 122 °F), storage temperature: -30 °C to 60 °C (-22 °F to 140 °F), charging temperature: 0 °C to 45 °C (32 °F to 113 °F)
Humidity	20% to 80% RH, non-condensing
Drop height	1.5 m (59.1"), 50 times
General	
Client software	IDMVS
Certification	CE, KC

*Test condition: Environment temperature=25 °C (77 °F), ambient illumination=250 lux filament lamp, Hikrobot's test symbologies are used.

Specification

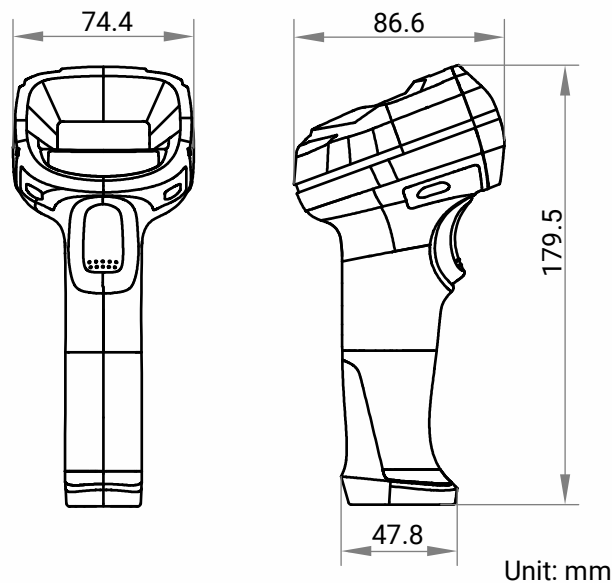
Model	MV-IDH3013B-05N-R1U	MV-IDH3013B-05S-R1U
Performance		
Symbologies	1-dimensional codes: Code 39, Code 93, Code 128, CodaBar, EAN 8, EAN 13, ITF 25, ITF 14, UPCA, UPCE 2-dimensional codes: QR Code, Data Matrix	
Min. accuracy	3 mil	4 mil
Max. frame rate	50 fps	
Sensor type	CMOS, global shutter	
Pixel size	2.7 μm × 2.7 μm	
Sensor size	1/4"	
Resolution	1280 × 1024	
Depth of field*	Code 128 (3 mil): 35 mm to 80 mm Code 128 (10 mil): 10 mm to 170 mm Code 39 (5 mil): 15 mm to 100 mm Code 39 (20 mil): 20 mm to 250 mm Data Matrix (10 mil): 5 mm to 115 mm QR Code (20 mil): 20 mil to 190 mm	Code 39 (5 mil): 40 mm to 160 mm Code 128 (10 mil): 10 mm to 400 mm Data Matrix (10 mil): 30 mm to 200 mm QR Code (15 mil): 15 mm to 280 mm QR Code (20 mil): 20 mm to 370 mm
Field of view	Horizontal 40°, vertical 34°	
Detection angle	Tilt angle ± 60°, skew angle ± 60°, rotation angle 360°	
Symbol contrast	20%	
Wireless communication		
Bluetooth	BT 5.0, 2.4 GHz to 2.4835 GHz, BLE	
Wireless range	70 m (open range)	
Communication protocol	Wireless handheld code reader: USB (HID) Smart base: SmartSDK, USB (HID/CDC)	
Electrical feature		
Data interface	USB2.0, DC terminal	
Battery	3150 mAh, chargeable lithium battery	
Charging time	8.5 h (USB)	
Number of scan	29000 times (full charging)	
Power supply	Wireless handheld code reader: 3.8 VDC (battery providing power) Smart base: 5 VDC (USB), 12 VDC to 24 VDC (DC terminal)	

Specification

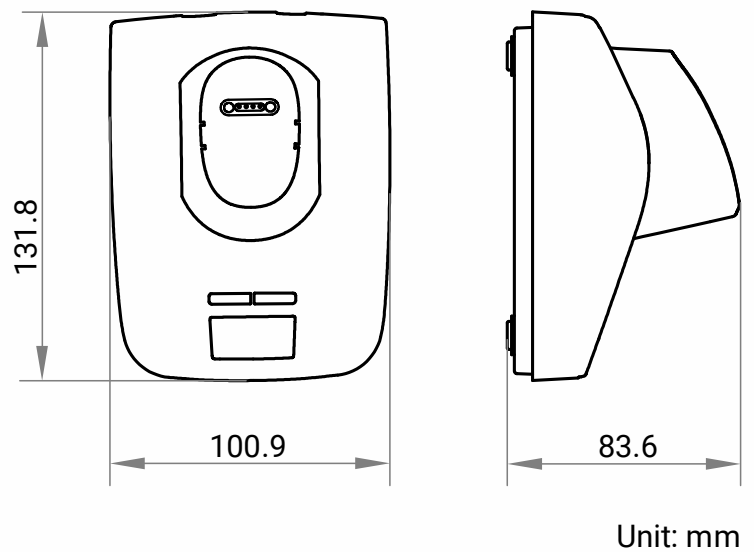
Max. power consumption	Wireless handheld code reader: 0.8 W@3.8 VDC, working mode: 1.6 W@3.8 VDC, sleep mode: 0.6 W@3.8 VDC Smart base: 4.5 W@5 VDC (USB), 6.6 W@12 VDC (DC terminal)
Mechanical	
Focal length	4.7 mm
Lens mount	M5.8-mount
Ambient illumination	0 lux to 100000 lux
Light source	Red LED
Aiming system	Cross laser aiming
Prompt	LED indicator, buzzer, vibrator
Dimension	Wireless handheld code reader: 74.4 mm × 86.6 mm × 179.5 mm (2.9" × 3.4" × 7.1") Smart base: 100.9 mm × 131.8 mm × 83.6 mm (4.0" × 5.2" × 3.3")
Weight	Wireless handheld code reader: Approx. 230 g (0.5 lb.) Smart base: Approx. 180 g (0.4 lb.)
Ingress protection	IP42
Temperature	Working temperature: -20 °C to 50 °C (-4 °F to 122 °F), storage temperature: -30 °C to 60 °C (-22 °F to 140 °F), charging temperature: 0 °C to 45 °C (32 °F to 113 °F)
Humidity	20% to 80% RH, non-condensing
Drop height	1.5 m (59.1"), 50 times
General	
Client software	IDMVS
Certification	CE, KC
*Test condition: Environment temperature=25 °C (77 °F), ambient illumination=250 lux filament lamp, Hikrobot's test symbolologies are used.	

Dimension

Wireless Handheld Code Reader:



Smart Base:



Hangzhou Hikrobot Co., Ltd.
en.hikrobotics.com