

# MV-IDH3013

## 1.3 MP Wired Handheld Code Reader



### Introduction

MV-IDH3013 wired handheld code reader adopts code reading algorithm and can read different types of one-dimensional and two-dimensional codes, and output results rapidly. It has good decoding capability for codes with spots, defects and low contrast radio, and entry level DPM code.

### Key Feature

- Adopts code reading algorithm to read different types of one-dimensional and two-dimensional codes.
- Provides good robustness to read codes with spots, defects and low contrast radio.
- Supports continuous code reading, batch code reading for improving code reading efficiency.
- Supports multiple communication protocols, including TCP, Serial, FTP, UDP, USB HID, etc.
- Easy to replace components.

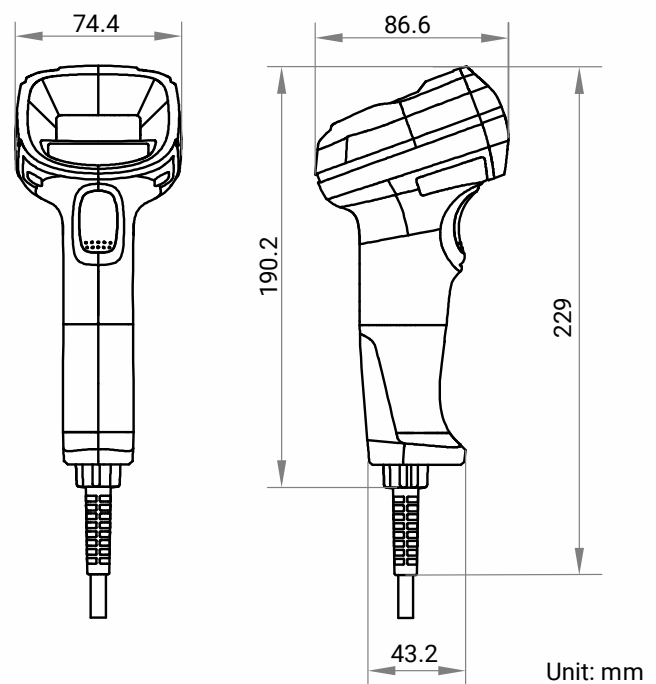
### Applicable Industry

Consumer electronics, medical treatment, appliance manufacturing, etc.

### Available Model

- Fast Ethernet with near distance: MV-IDH3013-05N-R1L
- Fast Ethernet with standard distance: MV-IDH3013-05S-R1L
- USB interface with near distance: MV-IDH3013-05N-R1U
- USB interface with standard distance: MV-IDH3013-05S-R1U

### Dimension



# Specification

| Model                         | MV-IDH3013-05N-R1L(U)   | MV-IDH3013-05S-R1L(U)   |
|-------------------------------|---|---|
| <b>Performance</b>            |   |   |
| <b>Symbologies</b>            | 1-dimensional codes: Code 39, Code 93, Code 128, CodaBar, EAN 8, EAN 13, Matrix 2 of 5, ITF 14, UPCA, UPCE  |   |
|                               | 2-dimensional codes: QR Code, Data Matrix   |   |
| <b>Min. accuracy</b>          | 3 mil   | 4 mil   |
| <b>Max. frame rate</b>        | 50 fps  |   |
| <b>Sensor type</b>            | CMOS, global shutter  |   |
| <b>Pixel size</b>             | 2.7 $\mu\text{m}$ $\times$ 2.7 $\mu\text{m}$  |   |
| <b>Sensor size</b>            | 1/4"  |   |
| <b>Resolution</b>             | 1280 $\times$ 1024  |   |
| <b>Depth of field*</b>        | Code 128 (3 mil): 35 mm to 80 mm<br>Code 128 (10 mil): 10 mm to 170 mm<br>Code 39 (5 mil): 15 mm to 100 mm<br>Code 39 (20 mil): 20 mm to 250 mm<br>Data Matrix (10 mil): 5 mm to 115 mm<br>QR Code (20 mil): 20 mil to 190 mm | Code 39 (5 mil): 40 mm to 160 mm<br>Code 128 (10 mil): 10 mm to 400 mm<br>Data Matrix (10 mil): 30 mm to 200 mm<br>QR Code (15 mil): 15 mm to 280 mm<br>QR Code (20 mil): 20 mm to 370 mm |
| <b>Field of view</b>          | Horizontal 40°, vertical 34°  |   |
| <b>Detection angle</b>        | Tilt angle $\pm$ 60°, skew angle $\pm$ 60°, rotation angle 360°   |   |
| <b>Symbol contrast</b>        | 20%   |   |
| <b>Communication protocol</b> | Fast Ethernet type device: SmartSDK, TCP Client, FTP, TCP Server, UDP, Serial<br>USB type device: SmartSDK, USB (HID/CDC)   |   |
| <b>Electrical feature</b>     |   |   |
| <b>Data interface</b>         | Fast Ethernet type device: Fast Ethernet, RS-232, DC terminal<br>USB type device: USB2.0, DC terminal   |   |
| <b>Power supply</b>           | Fast Ethernet type device: 12 VDC to 24 VDC<br>USB type device: 5 VDC (USB), 12 VDC to 24 VDC (DC terminal)   |   |
| <b>Max. power consumption</b> | Fast Ethernet type device: 1.75 W@12 VDC<br>USB type device: 1.5 W@5 VDC (USB), 1.8 W@12 VDC (DC terminal)  |   |
| <b>Mechanical</b>             |   |   |
| <b>Focal length</b>           | 4.7 mm  |   |
| <b>Lens mount</b>             | M5.8-mount  |   |
| <b>Ambient illumination</b>   | 0 lux to 100000 lux   |   |
| <b>Light source</b>           | Red LED   |   |
| <b>Aiming system</b>          | Cross laser aiming  |   |
| <b>Dimension</b>              | 74.4 mm $\times$ 86.6 mm $\times$ 190.2 mm (2.9" $\times$ 3.4" $\times$ 7.5")   |   |
| <b>Weight</b>                 | Approx. 160 g (0.4 lb.)   |   |
| <b>Ingress protection</b>     | IP42  |   |
| <b>Temperature</b>            | Working temperature: -20 °C to 50 °C (-4 °F to 122 °F)<br>storage temperature: -40 °C to 70 °C (-40°F to 158 °F)  |   |
| <b>Humidity</b>               | 20% to 80% RH, non-condensing   |   |
| <b>Drop height</b>            | 1.5 m (59.1"), 50 times   |   |

# Specification

| <b>General</b>   |        |
|--|--------|
| <b>Client software</b>   | IDMVS  |
| <b>Certification</b>   | CE, KC |
| <i>*Test condition: Environment temperature=25 °C (77 °F), ambient illumination=250 lux filament lamp, Hikrobot's test symbologies are used.</i> |        |

**HIKROBOT**

Hangzhou Hikrobot Co., Ltd.  
en.hikrobotics.com

© Hangzhou Hikrobot Co., Ltd. All Rights Reserved.

Hangzhou Hikrobot does not tolerate any infringement. Any organization or individual may not imitate or reproduce in whole or in part of the content. The data herein is based on Hikrobot's internal evaluation. Actual data may vary depending on specific configuration and operating condition. The information herein is subject to change without notice. All the content has been checked conscientiously. Nevertheless, Hikrobot shall not be liable to damages resulting from errors, inconsistencies or omissions.