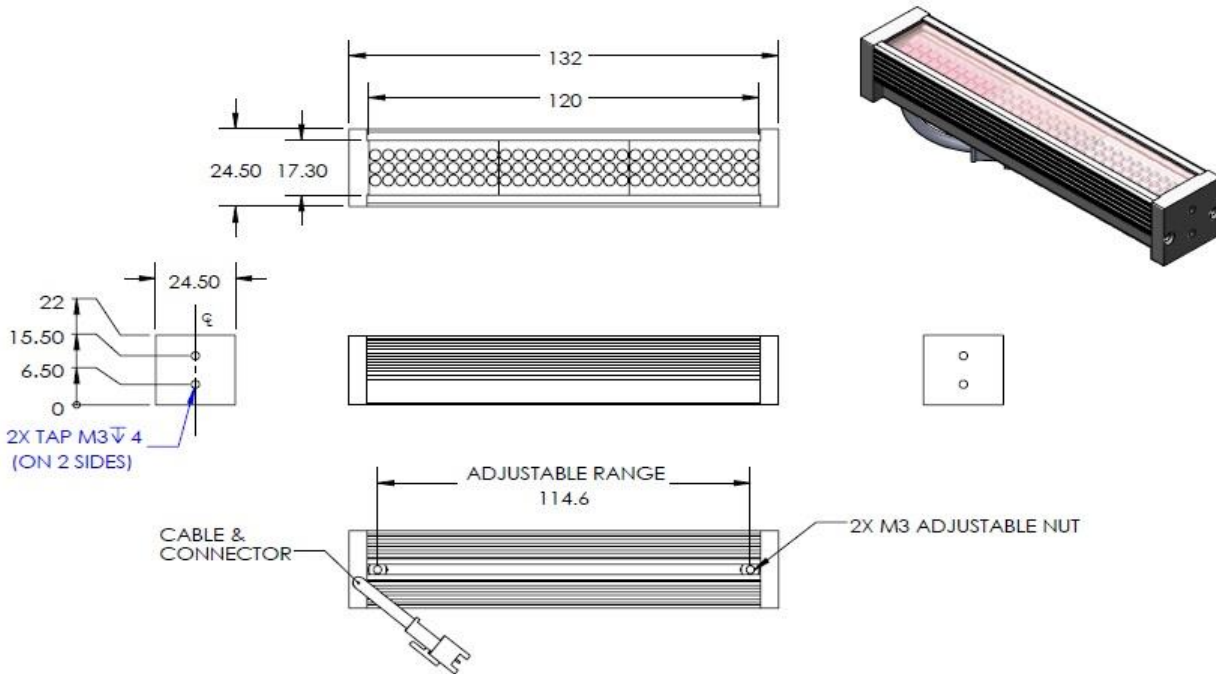




ILLUMINATOR DATA

LBRX-00-120-3-W-24V


Lighting Dimension



Mechanical Information	
Casing Material	Aluminium
Storage Temperature Range	Temp 0-45°C, Humidity 20-85%
Weight	90g
Width	24.5mm
Length	132mm
Thickness	22mm



LBRX-00-120-3-W-24V

Optical Information									
Part Number		LBRX-00-120-3-W-24V							
LED Color		WHITE							
Wavelength	(nm)	* Refer to the Chromaticity table below							
Intensity	(Lux)	12800	11600	10200					
Working Distance	(mm)	80	90	100					
Illumination (number of row)		3							
Illumination Active Area									
Active Length	(mm)	120							
Active Width	(mm)	17.3							
Emission angle	(deg.)	0							
Eye Safety Class		II							
*CHROMATICITY TABLE									
X	0.296	0.287	0.307	0.311	X	0.311	0.307	0.33	0.33
Y	0.276	0.295	0.315	0.294	Y	0.294	0.315	0.339	0.318
Electrical Information									
Lighting Supply Voltage (constant voltage mode)		24V ± 2%							
Continuous Current	(mA)	126							
Power Consumption	(W)	3.02							
LED temperature, Operating after 60 minutes	°C	48.3							
Lighting casing temperature, Operating after 60 minutes	°C	45.1							
Strobe Mode Specification									
Pulse Operation		YES							
Max. Lighting Supply Voltage (Constant voltage power supply)	(V)	Pulsing at 24VDC to 48VDC, 0-10% Duty Cycle Recommended at 36VDC							
Pulse Current, (Max. 10msec) (Constant current power supply)	(mA)	378							
Max. Trigger Pulse Duration	(msec)	10							
Duty Cycle		0-10%							
Additional Information									
Additional Cooling Method		Attached to machine part for better heat dissipation							
Life span in continuous mode		20,000 hours (drop to 50% intensity) at 25°C							
Life span in strobe mode		Est. >50,000 hours (drop to 50% intensity) at 25°C							
Intensity Controller Selection		ANG-Series, LC-Series, STB-Series							
CE Conformity		YES							
RoHS Compliance		YES							
Connection									
Connector Type (Default):		JST SMR-03V							
Cable Length out from lighting :	(mm)	500							
Pin Configuration :		Pin	Signal	Cable Color					
		1	LED +	RED					
		2	N.C.	---					
		3	LED -	WHITE					
									
Application									
Optimal Working Distance	(mm)	80 - 100							