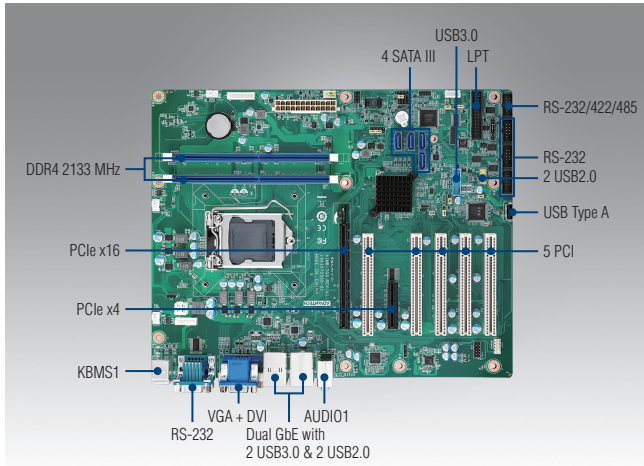


AIMB-705

LGA1151 6th/7th Generation Intel® Core™ i7/i5/i3/Pentium®/Celeron® ATX with DVI/VGA, DDR4, SATA III, USB 3.0 & 6 COMs



Features

- Intel® 6th/7th generation Core™ i7/i5/i3/Pentium®/Celeron® processor
- Dual channel (Non-ECC) DDR4 1866/2133 up to 32GB
- Supports VGA and DVI display
- Supports SATA3.0, USB3.0, dual GbEs
- Supports 5 RS-232 and 1 RS-232/422/485 serial ports
- 1 PCIe x16 (Gen3) and 1 PCIe x4 (Gen2), and 5 PCI expansion slots

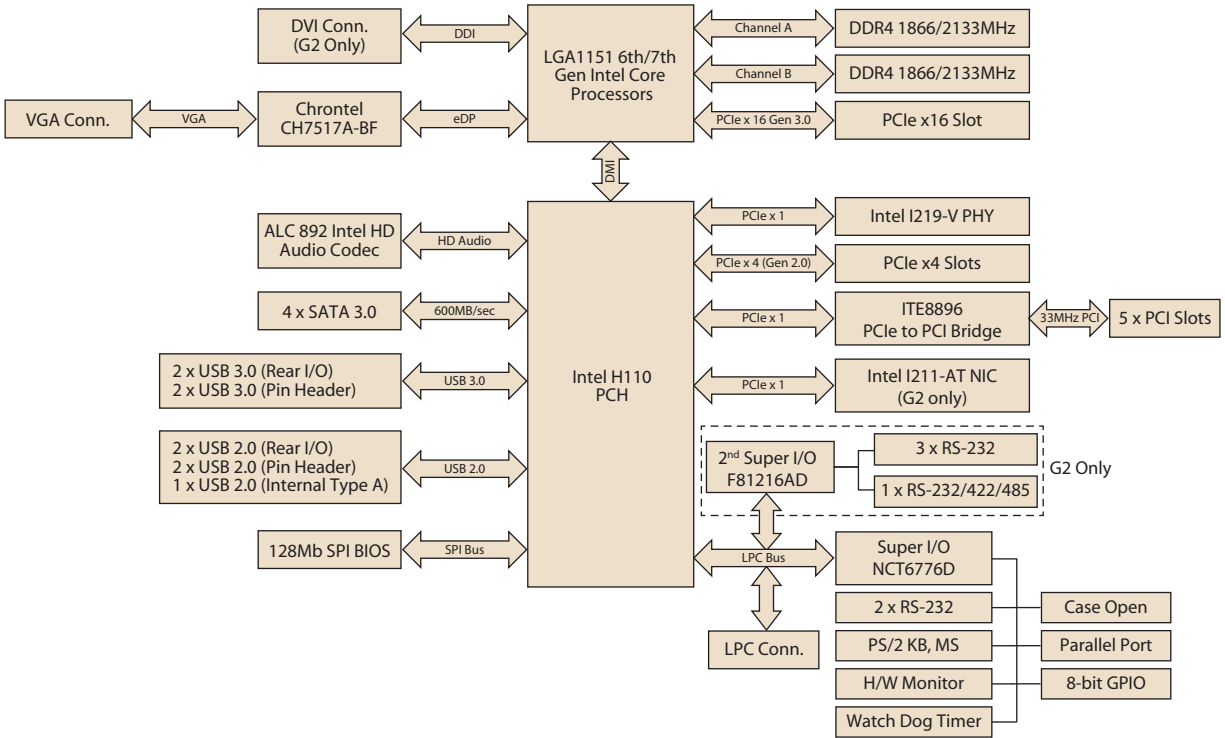
Note: Intel 7th generation processors only support Windows 10 (64-bit).

Quiet Specifications

CE FCC

Processor System	CPU	i7-7700	i7-7700T	i7-6700	i7-6700TE	i5-7500	i5-7500T	i5-6500	i5-6500TE	i3-7101E	i3-7101TE	i3-6100	i3-6100TE	G4400	G4400TE	G3900	G3900TE	
	Speed	3.6GHz	2.9GHz	3.4 GHz	2.4 GHz	3.4GHz	2.7GHz	3.2 GHz	2.3 GHz	3.9GHz	3.4GHz	3.7 GHz	2.7 GHz	3.3 GHz	2.9 GHz	2.8 GHz	2.6 GHz	
	Cache	8MB	8MB	8 MB	8 MB	6MB	6MB	6 MB	6 MB	3MB	3MB	4 MB	4 MB	3 MB	3 MB	2 MB	2 MB	
	Socket	LGA 1151																
	Chipset	Intel H110																
	BIOS	AMI 128Mbit SPI Flash																
Expansion Slot	PCI	32-bit/33 MHz, 5 slots																
	PCIe x4 (Gen2)	2 GB/s per direction, 1 slot																
	PCIe x16 (Gen3)	16 GB/s per direction, 1 slot																
Memory	Technology	Dual Channel(Non-ECC) DDR4 1866/2133 MHz																
	Max Capacity	32 GB (16 GB per DIMM)																
	Sockets	DDR4 288-pin DIMM x2																
Graphics	Controller	Chipset integrated Intel HD Graphics																
	VRAM	Shared system memory is subject to OS																
Ethernet	Interface	10/100/1000 Mbps																
	Controller	GbE LAN1: Intel I219-V, GbE LAN2: Intel I211-AT																
	Connector	RJ-45 x2																
SATA	Max Data Transfer Rate	600 MB/s																
	Channel	4																
Rear I/O	VGA	1 (Resolution up to 1920 x 1200 @ 60Hz)																
	DVI	1 for G2 version (Resolution up to 1920 x 1200 @ 60Hz)																
	Ethernet	2 for G2 version; 1 for VG version																
	USB	4 (USB3.0 x2, USB2.0 x2)																
	Audio	Line-out, Mic-in																
	Serial	2																
	PS/2	2 (1 x keyboard and 1 x mouse)																
Internal Connectors	USB	1 (Type A); 2 (USB2.0, Pin-header); 2 (USB3.0, Box-header)																
	Serial	4 for G2 version (3 x RS-232, box-header; 1 x RS-232/422/485 with auto-flow control, box-header)																
	Parallel	1																
	GPIO	8 bits																
Watchdog Timer	Output	System reset																
	Interval	Programmable 1 - 255 sec																
Power Requirement	Test Environment	Intel Core i7-6700 3.4GHz; DDR4 2133 8GB x 2																
	Voltage	3.3V	5V	12V	5Vsb	-5V	-12V											
	Current	0.49A	3.13A	7.88A	0.08A	0.07A	0.07A											
Environment	Operating	Non-Operating																
	Temperature	0 ~ 60 °C (32 ~ 140 °F), depends on CPU speed and cooler solution																
	Humidity	40 °C @ 95% RH Non-condensing																
Physical Characteristics	Dimensions (L x H)	304.8 x 244 mm (12" x 9.6")																

Block Diagram



Ordering Information

Part Number	Chipset	Memory	Display	USB 3.0	USB 2.0	COM	GbE LAN	AMT	SATA	SW RAID	Intelligent System Module Support
AIMB-705G2-00A1E	H110	Non-ECC	VGA + DVI	4	5	6	2	No	4	No	No
AIMB-705VG-00A1E	H110	Non-ECC	VGA	4	5	2	1	No	4	No	No

Packing List

Part Number	Description	Quantity
1700003194	SATA HDD cable	x2
1700022749-11	SATA power cable	x1
1960050472T000	I/O port bracket	x1
2001070511	Startup manual	x1
2061070501	Driver CD	x1

I/O View



AIMB-705G2-00A1E



AIMB-705VG-00A1E

Optional Accessories

Part Number	Description
1701090401	Single COM port cable(40 cm)
1701092300	Dual COM port cable(28.5 cm)
1700020294-01	Printer port cable kit(42 cm)
1700028292-01	2-port USB 3.0 cable w/ BKT(30 cm)
1700002204	2-port USB 2.0 cable w/ BKT(27 cm)
1960052651N021	CPU cooler for 2U, 4U, and wallmount chassis
1960049408N001	CPU cooler for 1U chassis
1960055954T000	IO bracket for 1U chassis
PCA-COM232-00A1E	4-port RS-232 LPC module
PCA-TPM-00A1E	TPM module (for BIOS V1.XX)
PCA-TPM-00B1E	TPM2.0 module (for BIOS V2.XX)

Note: Purchasing AIMB-705's proprietary CPU cooler from Advantech is a must. Other brands' CPU coolers are NOT compatible with AIMB-705.

Riser Card

Part Number	Description
AIMB-RP10P-01A1E	1U riser card providing 1 PCI slot
AIMB-RP30P-03A1E	2U riser card providing 3 PCI slots
AIMB-RP3PF-21A1E	2U riser card providing 1 PCIe x16 and 2 PCI slots

IPC-510

Economical 4U Rackmount Chassis with Front-Accessible USB and PS/2 Interfaces



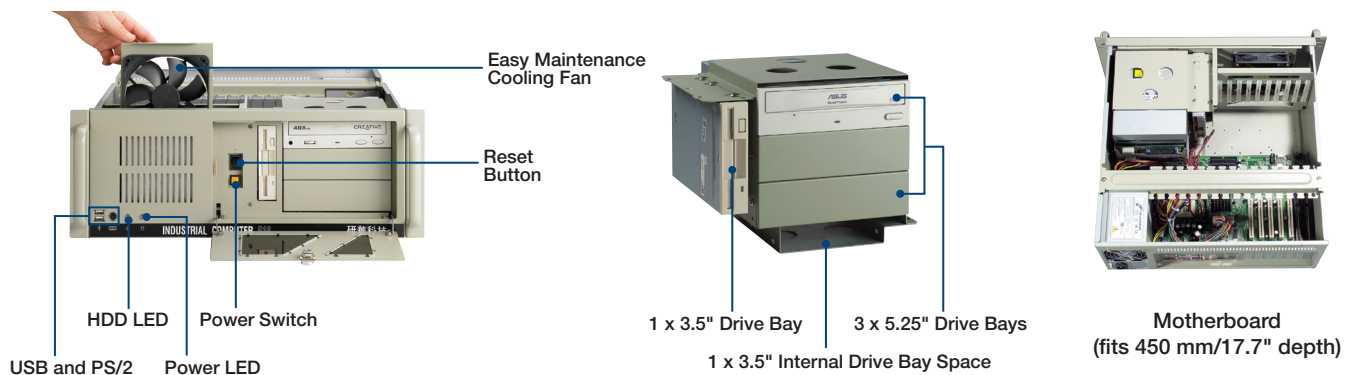
Features

- Most cost-effective rackmount chassis
- Supports PS/2 single power supply
- Easy-to-install front-accessible drive bays hold 3 x 5.25" and 2 x 3.5" drives (1 x front-accessible and 1 x internal)
- Front-accessible USB and PS/2 interfaces

CE FCC

Specifications

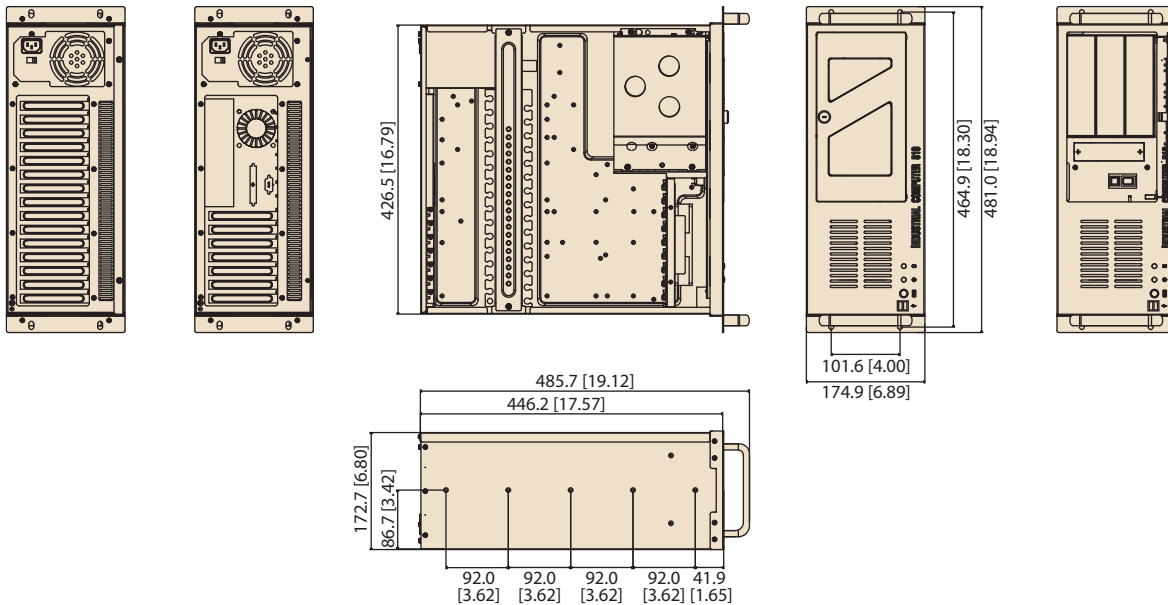
Drive Bay	5.25"	External	3	Internal	-
	3.5"		1		1
Cooling	Fan		1 (12 cm/77 CFM)		
	Air Filter		Yes		
Front I/O	USB		2		
	PS/2		1		
Miscellaneous	LED Indicators		Power and HDD activity		
	Rear Panel		Motherboard version: 1 x 9-pin D-Sub and 1 x 68-pin SCSI openings		
Environment	Temperature	Operating	0 ~ 40 °C (32 ~ 104 °F)		
		Non-Operating	-20 ~ 60 °C (-4 ~ 140 °F)		
	Humidity		10 ~ 85% @ 40 °C, non-condensing		
	Vibration (5 ~ 500 Hz)		1 Grms		
	Shock		2 G		
Physical Characteristics	Dimensions (W x H x D)		10 G (with 11 ms duration, half sine wave)		
	Weight		481 x 175 x 446 mm (19 x 7 x 17.6")		
			10.7 kg (23.5 lb)		



Black Version

Dimensions

Unit: mm [inch]



Ordering Information

Part Number	Color	Power Supply	Wattage	Switch Type
Backplane Version				
IPC-510BP-30CE	Beige	PS8-300ATX-ZBE	300W	ATX
IPC-510BP-30ZCE	Black	PS8-300ATX-ZBE	300W	ATX
IPC-510BP-40ZCE	Black	PS8-400ATX-ZE	400W	ATX
Motherboard Version				
IPC-510MB-30CE	Beige	PS8-300ATX-ZBE	300W	ATX
IPC-510MB-40CE	Beige	PS8-400ATX-ZE	400W	ATX
IPC-510MB-30ZCE	Black	PS8-300ATX-ZBE	300W	ATX
IPC-510MB-40ZCE	Black	PS8-400ATX-ZE	400W	ATX

Optional Accessories

Part Number	Description
IPC-DT-3120E	Mobile rack for converting one 3.5" drive bay into two 2.5" SATA HDD trays
IPC-DT-5230E	Mobile rack for converting two 5.25" drive bays into three 3.5" SATA HDD trays

Spare Parts

Part Number	Description
2130018002T000	Fan filter 120 x 100 x 15 mm