

VFD Customer Display

VFD-800/200 Series



TYSSO[®]
Insist on the Best



VFD-200

VFD-800

VFD-200/800 Series are VFD customer displays with elegant and ergonomic design, bright and easy to eyes display. The adjustable panel provides the best viewing angle max. 53° and horizontal rotation max. 360°. VFD-880 shows graphic characters by adopting the innovative VFD 16x15 dot matrix technology.

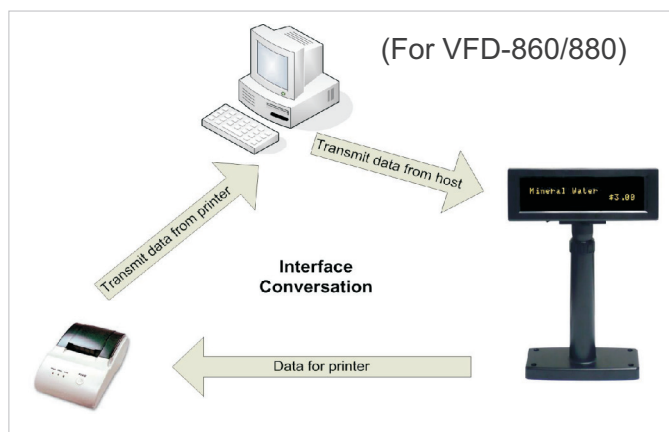
FEATURES

- Display 2 x 20 characters
- Adjustable display angle and height
- Large and easy to read display
- Pass-through function to save cable connection
- Compatible with 9 different command sets or ESC/POS command
- RS-232 interface at 9600 baud rate
- USB interface without external power adaptor available for VFD-200
- Telescopic pole 270mm~440mm or optional fixed pole 300mm or 400mm for VFD-800 Series.

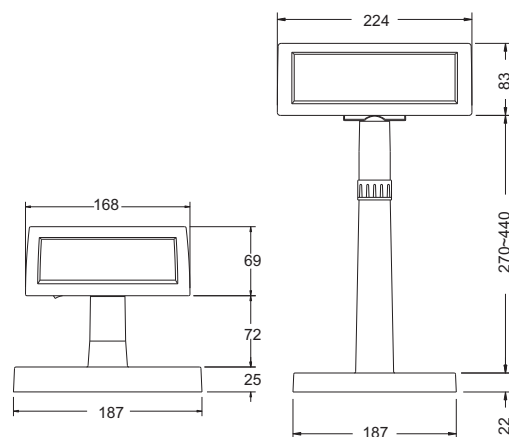
SPECIFICATIONS

Models	VFD-200	VFD-850	VFD-860	VFD-880
	Tube Display			
Customer Display	Vacuum Fluorescent Display			
Display Pattern	5x7 dot matrix			16x15 dot matrix
Brightness	500 cd/m ²	700 cd/m ²		
Character Type	96 alphanumeric & 13 international characters			Chinese(Big5/GB)/ Korean/Japanese
Command Set	9 different command sets		ESC/POS	
Character Size	3.75Wx4.75H mm	6.4Wx9.2H mm		6.52Wx9.77H mm
Character Number	2x20			
	Electrical			
Power Source	DC 9V~12V (RS-232) or DC 5V (USB)		DC 9V~12V (RS-232)	
Power Consumption	2.5 Watts (RS-232) or 3 Watts (USB)		4.5 Watts (RS-232)	
Central Control Unit	CPU 8031BH ROM 64K flash ROM 32K SRAM	CPU 8032 ROM 64K flash ROM 32K SRAM		CPU 8031BH ROM 64K flash ROM 32K SRAM
Speed	29 Mhz			11 Mhz
	Physical			
Dimensions (Panel)	165Wx39Dx67H mm	224Wx45Dx83H mm		
Dimensions (Support)	72mm	Telescopic pole 270 ~ 440mm or optional fixed pole 300mm or 400mm		
Dimensions (Base)	187Wx84Dx25H mm	187Wx84Dx22H mm		
Tilt Angle	Max. 53°			
Rotation Angle	Max. 360°			
Weight	0.56Kg	0.8Kg		
Interface	RS-232/USB		RS-232	
Color	Black or beige			
	Environmental			
Operating Temperature	0°C~40°C (32°F~104°F)			
Storage Temperature	-10 °C~50 °C (14°F~122°F)			
Relative Humidity	0%~90% RH			

PASS-THROUGH CONNECTION



DIMENSIONS



TYSSO®

Insist on the Best

FAMETECH INC.

Manufacturer

URL: <http://www.alcglobal.com>

Distributor