

UniMag II™

Two-Track Secure Credit Card Reader for Mobile Devices



Card Swiping on your Mobile Device

The ID TECH UniMag II is a magnetic stripe reader that communicates with mobile devices via the headphone jack. Use your mobile device to read a variety of magnetic stripes, including credit cards, signature debit cards, gift cards, and loyalty cards.

Secure MagStripe and Visa Ready Solution

The UniMag II utilizes ID TECH's proven MagStripe reading technology, providing bidirectional card reading of up to two tracks of information. When reading card data the UniMag II encrypts the information before it enters the mobile device, providing protection of sensitive data. The UniMag II is also Visa Ready meeting the Visa Ready Program requirements for a reliable, convenient, and secure hardware solution.

Incredible Convenience and Cost Savings

The ID TECH UniMag II allows merchants to provide their customers with another acceptable method of payment, and with the capability to swipe credit cards, merchants can save money by avoiding costly card-not-present fees. With the ID TECH UniMag II, merchants can accept credit card payments wherever they go.

Features and Benefits:

- Approved solution of the Visa Ready Program
- Plugs into audio headphone jack - no cables or batteries
- Supports TDES and AES encryption using DUKPT key management
- Reads up to two tracks of card data
- Superior MagStripe reading performance
- Bidirectional card reading
- Low battery consumption of mobile devices
- No external power supply required
- Bidirectional communication between the reader and mobile device
- Extended phone jack enables compatibility with various phone cases
- Unique design allows the Shuttle to fasten securely to mobile devices without the use of a clip
- SDK available for Apple, Android, and Blackberry platforms



IDTECH®
Value through Innovation

UniMag II™

Specifications ID-80110008-001

Electrical

Interfaces: Audio headphone jack

Environmental

Operating Temperature: 32°F to 131°F (0°C to 55°C) non-condensing
Storage Temperature: -22°F to 158°F (-30°C to 70°C) non-condensing
Humidity: Maximum 95% non-condensing, dry storage

Reliability

Operating Life: 100,000 card swipes minimum
Warranty: One year, parts and labor

Mechanical

Dimension (L)x(W)x(H): 1.18 inches (30 mm) x 0.43 inches (11 mm) x 1.77 inches (45 mm)
Media Thickness: 0.025 inches (0.635 mm) to 0.035 inches (0.889 mm)
Media Formats: ISO 7811 and AAMVA
Swipe Speed: 5 to 60 inches per second, bidirectional
Weight: 0.512 oz.

Please visit www.idtechproducts.com for the most up-to-date lists of hardware and software compatibility.

United States Sales Office

Corporate Headquarters

10721 Walker Street
Cypress, CA 90630
Phone: (714) 761-6368
Toll Free: (800) 984-1010
Fax: (714) 761-8880
sales@idtechproducts.com

International Sales Offices

Asia

+866-3-496-6988 (Taiwan)
asia@idtechproducts.com.tw

Canada

+450-465-5261
robertop@idtechproducts.com

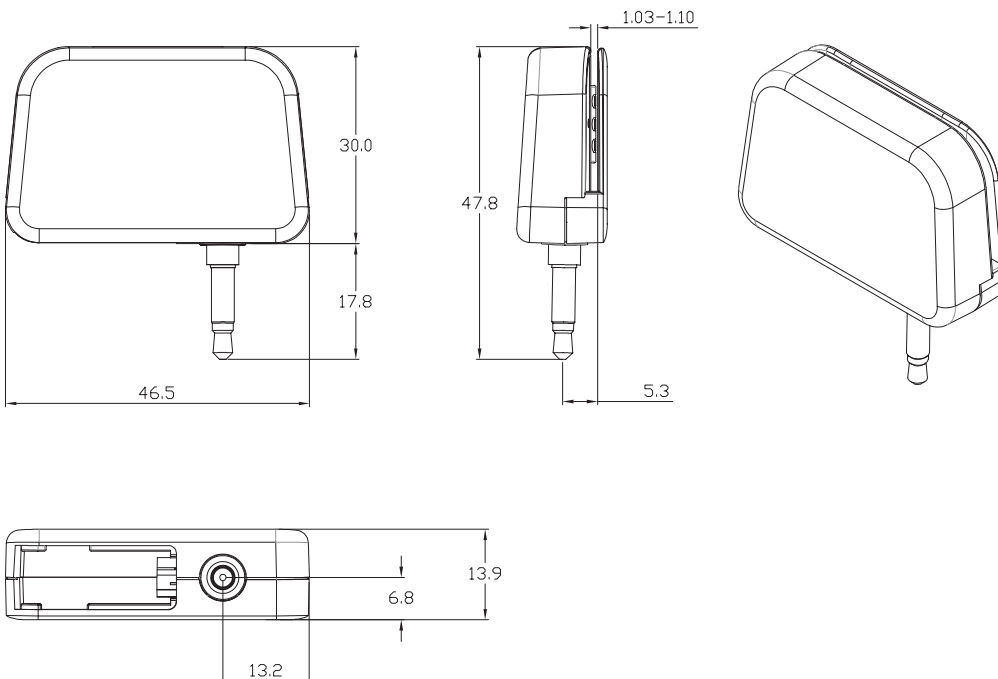
South America

+55-11-3079-2255
internationalsales@idtechproducts.com

Europe

Germany & United Kingdom
emea@idtechproducts.com

ISO 9001 Certified



IDTECH®

Value through Innovation

VIVOpay®

www.idtechproducts.com