

Price Checker

PC-1000 Series



TYSSO®

Insist on the Best



Versatile but Inexpensive

PC-1000 series, price checker with TySSO's state of the art technology, is created not only for customers to get in-house current price from the barcode article without "checking" salesclerks, as well as acquiring products' advertising and promotion news, but for retailer to facilitate daily jobs, reducing their operating cost.

The modular design and SDK communication kit assist the equipment to be formed as many as possible prospects to meet wide range of applications throughout retail trade.

FEATURES

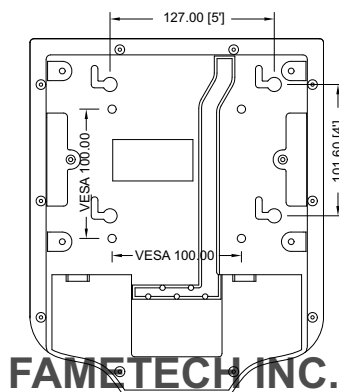
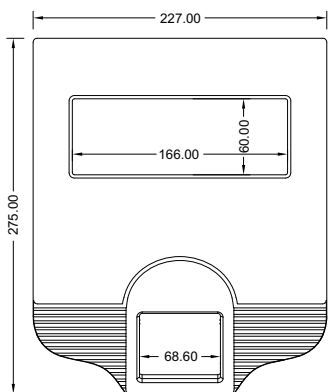
- VFD 20 x 2 or LCD graphic 15 x 4 display options
- TCP/IP communication
- Omni-directional laser to liner CCD scanner selections
- SDK communication kit and demonstration application available
- 2 auxiliary RS-232 ports
- ESC/POS command compatible
- Multiple languages supported
- Various mounting arrangements
- Reasonable price



SPECIFICATIONS

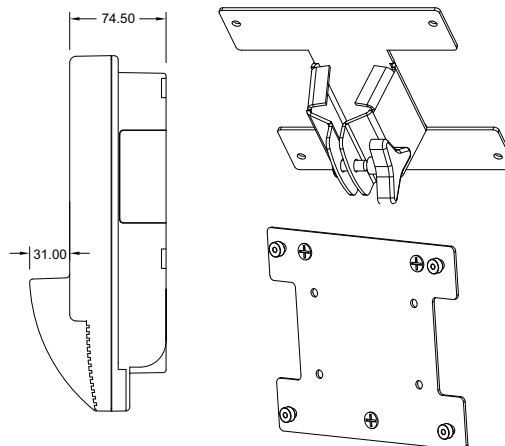
	PC-1000	PC-1100
CPU	8051	
Communication	TCP/IP 10/100Mb	
Display	Vacuum Fluorescent Display Green display color 700 cd/m2 brightness 20 character x 2 line 5 x 7 dot matrix display pattern 6.4mm(W) x 9.2mm(H) character size	Liquid Crystal Display 240 x 64 dot module Yellow green display color 120 cd/m2 brightness It can be displayed either; 15 character x 4 line 16x16 dot matrix display pattern 8mm(W) x 8mm(H) character size or 30 character x 4 line 16x8 dot matrix display pattern 4mm(W) x 8mm(H) character size
Font	Plenty of code pages	Default language for LCD graphic model: English/GB or English/Big-5; Other languages are upon OEM request
PLU	224KB	
Scanner	IS3480, omni-directional laser scanner A-50M, omni-directional laser scanner FCCD-620, liner CCD scanner	
Decoding Capacity	UPC/EAN, Code 128, Code 93, Codabar, Interleaved 2 of 5, Code 11, Code 39, MSI/Plessey, RSS 14 and more (IS3840)	
Utility	BMP converting utility, TCP/IP communication SDK, demonstration application, PLU download utility	
Auxiliary Ports (optional)	DB9 RS-232 port x 2, pin 9 provide DC+5V	
Auxiliary Devices (optional)	Magnetic card reader, 40-key keypad	
Environment	Operating: 0°~+45°C, 10%RH~80%RH Storage: -10°~+50°, 10%RH~90%RH	

Dimension:



FAMETECH INC.

Mounting Fixture:



TYSSO[®]
Insist on the Best

Manufacturer

