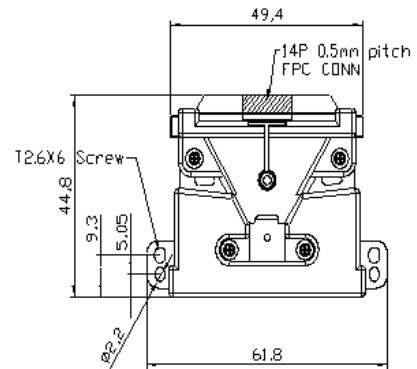
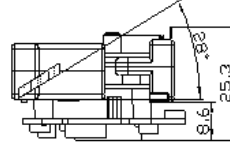
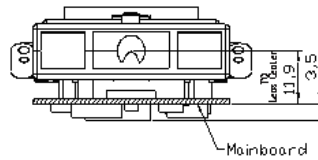


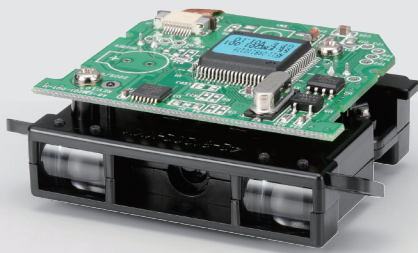
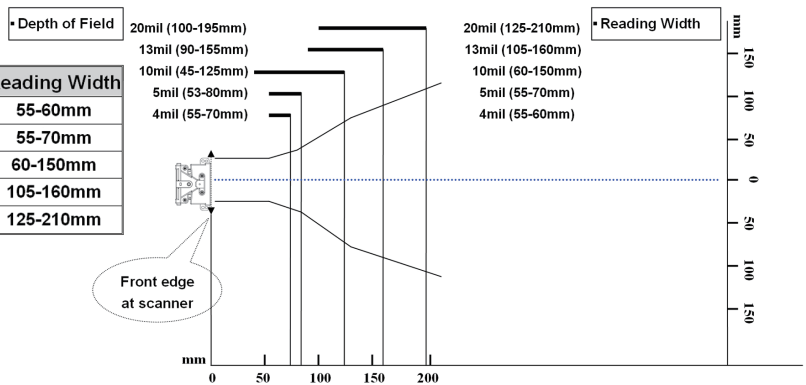


## FM-201 Engine Bracket Mounting



## FM-201 Read Field Diagram

Barcode PCS=90%	Data	Depth of Field	Reading Width
4mil (Code 39,1 : 2.5)	09876	55-70mm	55-60mm
5mil (Code 39,1 : 2.5)	01234	53-80mm	55-70mm
10mil (Code 39,1 : 2.5)	ARGOX-123	45-125mm	60-150mm
13mil (Code 39,1 : 2.5)	83MM CODE-39-1	90-155mm	105-160mm
20mil (Code 39,1 : 2.5)	95MM -CODE	100-195mm	125-210mm



## Argox FM-201 CCD Scan Engine

The FM-201 Scan Engine is a small decoder that can read all popular 1D barcodes. This device is comprised of two main parts: an optical system and a control board. The optical system is a 2048 pixel linear imager. The control board contains firmware to scan, decode and output barcode data.

The FM-201 Scan Engine is specifically designed for easy integration into your application devices. The control module supports RS232, Keyboard wedge and USB 1.1 interface.

- Compact size for customize decoder needs
- Durable CCD engine with excellent scanning performance
- Supporting read popular 1D barcodes
- Good read LED and adjustable beep sound available

Specifications	FM-201		
Scanning system	Red LED light source. 2048 pixels CCD.		
Resolution	4 mil (0.10mm)		
Scan angle	Pitch: <math><60^\circ</math> (EAN13, 13mil, 35 mm wide , PCS=90%) Yaw: <math><70^\circ</math>		
	Ambient lux: 300 +/-30 lux (fluorescent lamp)		
	<b>PCS = 90%</b>		
	<b>Resolution</b>	<b>Near field</b>	<b>Far field</b>
	4 mil (Code 39, 1:2.5)	45 mm	70 mm
	5 mil (Code 39, 1:2.5)	45 mm	80 mm
	10 mil (Code 39, 1:2.5) 43 mm	45 mm	125 mm
	13 mil (Code 39, 1:2.5) 83 mm	90 mm	155 mm
	20 mil (Code 39, 1:2.5) 95 mm	100 mm	195 mm
	13 mil (UPC/EAN)	45 mm	155 mm
	<b>PCS = 45%. (Argox Test Chart) &lt; note 1 &gt;</b>		
	<b>Resolution</b>	<b>Near field</b>	<b>Far field</b>
Depth of field	4 mil (Code 39, 1:2.5)	X	
	5 mil (Code 39, 1:2.5)	45 mm	60 mm
	13 mil (Code 39, 1:2.5)	90 mm	110 mm
	20 mil (Code 39, 1:2.5)	105 mm	140 mm
	13 mil (UPC/EAN)	45 mm	115 mm
Scan rate	30~100 sacn/second, auto adaptive		
PCS	>= 45%		
Reading indication	Good read LED and adjustable beep sound (Add LED&Buzzer yourself)		
Symbologies	Code-11, Code-39, Code-93, Code-128, Codabar, EAN-8/13 (with add-on), UPC-A/E UPCE (with add-on), MSI/Plessey , UK/Plessey, Telepen Industrial 2 of 5, Interleaved 2 of 5, Standard 2 of 5, , Matrix 2 of 5 Eur.China postage. Italian Pharmacy code (code-32).RSS-14, RSS-limited, RSS-expanded.		
Power supply	<b>Operating range:</b> 5 VDC +/-0.25 (Scanner only) <b>Power consumption:</b> Scanning: Max.: 250 mA (Test Mode) Typical: Max.: 200 mA (Momentary Mode) Standby: Max.: 60 mA		
Environments	Operating temp.: 0~50 °C Storage temp.: -20~+70 °C Ambient LUX.: 0~20000 Lux		